



E6-CR

180

Assembled Roving For Spray-up

180 Assembled Roving for Spray-up is coated with a silane-based sizing, compatible with unsaturated polyester, vinyl ester and polyurethane resins.

180 is a versatile general purpose spray-up roving used to manufacture boats, yacht, sanitary ware, swimming pool and automotive parts and also pipe by centrifugal casting process.

Product Features

- Excellent static control
- Excellent choppability and dispersion
- Fast and complete wet-out ensures easy roll-out and rapid air release
- Excellent strength of the composite products
- Excellent hydrolysis-resistance of finished parts
- High strength of end products and good resistance to boiling water

Identification

Example	E6CR13-2400-180
Type of Glass	E6-CR
Assembled Roving	R
Filament Diameter, μm	13
Linear Density, tex	2400, 3000
Size Code	180



Technical Parameters

Linear Density (%)	Moisture Content (%)	Size Content (%)	Stiffness (mm)
ISO 1889	ISO 3344	ISO 1887	ISO 3375
± 5	≤ 0.15	1.00 ± 0.15	135 ± 15

Packaging

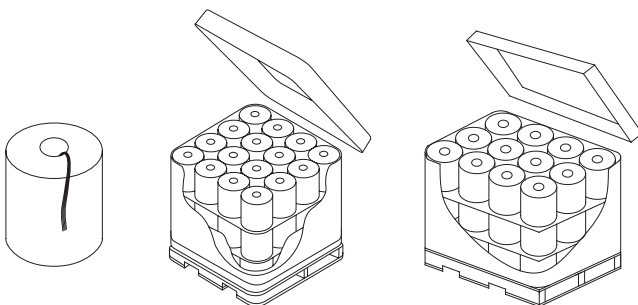
* The product can be packed on pallet or in small cardboard boxes.

Package height mm (in)	260 (10)	260 (10)
Package inside diameter mm (in)	100 (4)	100 (4)
Package outside diameter mm (in)	270 (10.6)	310 (12.2)
Package weight kg (lb)	17 (37.4)	23 (50.7)

Storage

Unless otherwise specified, fiberglass products should be stored in a dry, cool and rain-proof area. It is recommended that the room temperature and humidity should be always maintained at $15^{\circ}\text{C} \sim 35^{\circ}\text{C}$ and $35\% \sim 65\%$ respectively. To ensure safety and avoid damage to the product, the pallets should not be stacked more than three layers high. When the pallets are stacked in 2 or 3 layers, care should be taken to correctly and smoothly move the top pallet.

Number of layers	3	4	3	4
Number of doffs per layer	16		12	
Number of doffs per pallet	48	64	36	48
Net weight per pallet kg (in)	816 (1797.3)	1088 (2396.5)	828 (1825.4)	1104 (2433.9)



Pallet length mm (in)	1120 (44)		1270 (50)	
Pallet width mm (in)	1120 (44)		960 (37.8)	
Pallet height mm (in)	940 (37)	1180 (46.5)	940 (37)	1180 (46.5)

JUSHI GROUP CO., LTD.

版权所有：©巨石集团有限公司 ®巨石集团有限公司注册商标

Add: Tongxiang Economic Development Zone, Zhejiang 314500, PRC International Sales: +86-573-88181026 Fax: +86-573-88181058
 Domestic Sales: +86-573-88181016 Fax: +86-573-88136222 Customer Service: +86-573-88181017 Fax: +86-573-88181388
 Http://www.jushi.com E-mail: info@jushi.com